



# FLG4

## FINISHLINE® GRAVITY FEED SPRAY GUNS

### HVLP SOLVENT-BASED VALUE KIT

Order No. **803558** Model No. **FLG-670**

Includes: 1.3mm, 1.5mm & 1.8mm fluid tips, 900cc aluminum cup, air adjusting valve with gauge

### HVLP WATERBORNE VALUE KIT

Order No. **803559** Model No. **FLG-671**

Includes: 1.3mm, 1.5mm & 1.8mm fluid tips, 20 Oz. Acetal cup, air adjusting valve with gauge

### PRIMER GUN VALUE KIT

Order No. **803560** Model No. **FLG-678**

Includes: 1.8mm & 2.2mm fluid tips, 900cc aluminum cup



## Always the Price & Performance Leader

- Multiple fluid tips included in each model
- High grade stainless steel parts
- Easy to clean, blue anodized finish
- Proven reliability

### FinishLine® Gravity Feed Guns

Order No. Model No.	Fluid tip (mm)	Air Cap Cup	Application	Replaces	
<b>803558</b> <b>FLG-670</b>	1.3, 1.5, 1.8	HVLP #3 Aluminum	900cc Aluminum	Top coats, light primers	FLG-654
<b>803559</b> <b>FLG-671</b>	1.3, 1.5, 1.8	HVLP #3 Acetal	20 oz. Acetal	Waterborne top coats, light primers, primers	FLG-647-WB
<b>803560</b> <b>FLG-678</b>	1.8, 2.2	HVLP #3 Aluminum	900cc Aluminum	Primers, liquid masking, chip guards, other specialty materials	FLG-648

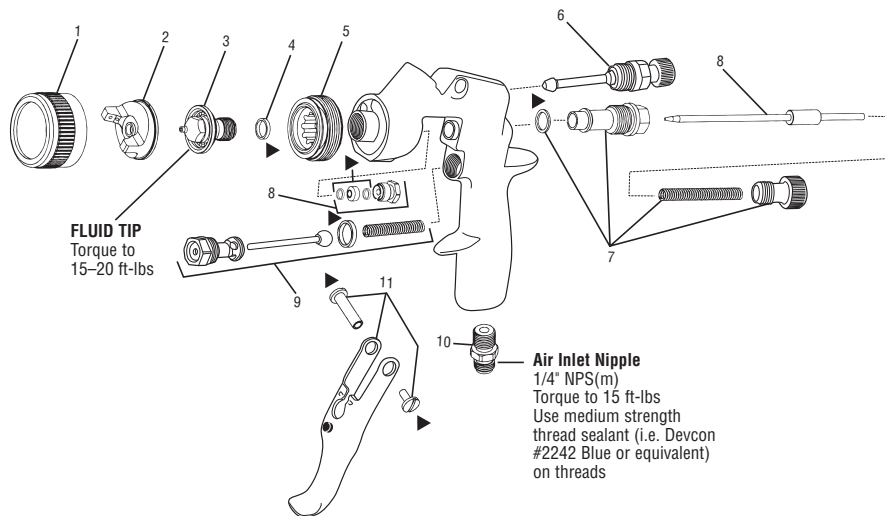
### FinishLine® Gravity Feed Air Caps

#3 air cap (HVLP)	Primers, base coats, clearcoats, single stage and low VOC Air Cap Order No. <b>690001</b> Air Cap Model No. <b>FLG-1-3</b> 13 CFM @ 23 PSI inlet	Air Cap Pattern <b>10½"</b>
<b>Fluid Tips</b>	1.3 mm, 1.5 mm, 1.8 mm, 2.2 mm	

\*Waterborne compatible when using a plastic or disposable cup system.



Refer to Service Bulletin: SB-2-775



Ref. No.	Order No.	Model No.	Description	Ind. Parts Req.
1	690017	FLG-333	Retaining Ring	1
2	See Air Caps chart, above		Air Cap	1
3	See Chart 1		Fluid Tip & Seal Kit	1
4	690020	FLG-304-K5	Fluid Tip Seal (Kit of 5)	1
5	690021	FLG-305	Baffle	1
6	803528	FLG-465	Spreader Air Adjustment Valve	1
7	803525	FLG4-364-K	Needle Knob, Spring, Bushing & Gasket Kit	1
8	803526	FLG4-366-K	FLG4 Needle, Needle Packing & Nut Kit	1
9	190780	JGS-449-1	Air Valve & Gasket Kit	1
10	190287	P-MB-51	Air Inlet Nipple	1
11	191943	JGS-477-1	Trigger, Trigger Stud & Screw	1
12	192151	KGP-13-K5	Cup Gasket Kit (Kit of 5)	1
13	702576	702576	Metal Gravity Feed Cup	1
	190252	GFC-501	Acetal Gravity Feed Cup	1
14	190944	GFC-404-K2	Disposable Lid Kit (Kit of 2)	1
15	190181	KGP-5-K5	Filter Kit (Kit of 5)	1
	803527	FLG4-488-K	FLG4 Gun Repair Kit (Contains 1 each: Fluid Tip Seal, Needle Packing, Trigger Stud, Trigger Screw, and Gasket for Air Valve & Needle Bushing.)	1
	519210	FLG-463	Air Cap #3 HVLP Test Cap	1

### Chart 1

Order No.	Fluid Tip (Ref. No. 3) Part No.	Tip Size in.	Tip Size mm	Application
803051	FLG-332-13K	.051	1.3	Stains, lacquers, basecoats, clears
803052	FLG-332-15K	.059	1.5	General purpose, light to medium viscosity materials
803053	FLG-332-18K	.070	1.8	Primers, medium viscosity materials
803054	FLG-332-12K	.086	2.2	Heavy materials

Cup Drawing

